

High Q Ceramic Chip Inductors - MS2520HQ SERIES

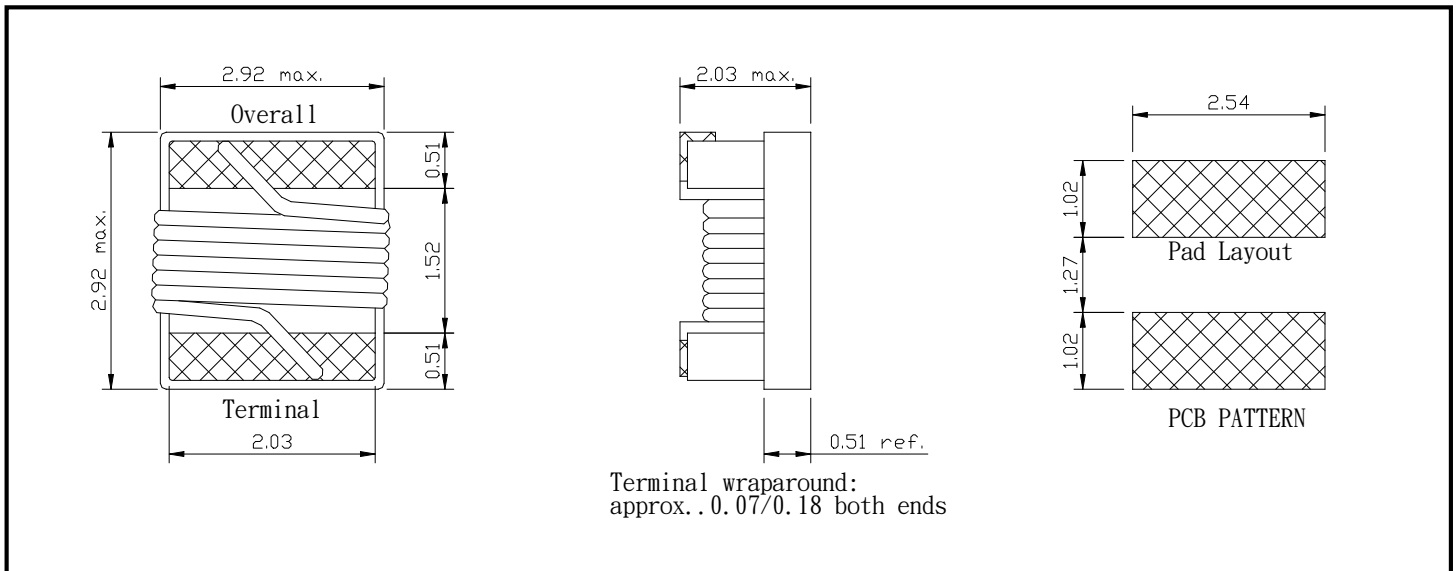


PART NUMBERING SYSTEM

MS	2520HQ	—	33NG	—	LF
TYPE	DIMENSIONS		INDUCTANCE		LEAD FREE

SHAPES AND DIMENSIONS

UNIT : mm



FEATURES :

- Very high Q factors – far higher than non-wire wound types.
- Ceramic construction for highest possible self resonance - up to 8.1 GHz
- Inductance values from 3 nH to 100 nH
- Lead Free with RoHS Compliant .

High Q Ceramic Chip Inductors - MS2520HQ SERIES



SPECIFICATION TABLE

PART NUMBER	INDUCTANCE (nH)	TOLERANCE	Q. MIN.	SRF (GHz) MIN.	DCR (Ω) (max)	IDC (A) (max)
MS2520HQ-3N0□-LF	3.0@50MHz	B,S	70@1500MHz	8.10	0.04	1.60
MS2520HQ-4N1□-LF	4.1@50MHz	B,S	75@1500MHz	6.20	0.05	1.60
MS2520HQ-7N8□-LF	7.8@50MHz	B,S	55@500MHz	3.80	0.05	1.60
MS2520HQ-10N□-LF	10@50MHz	K,J,G	60@500MHz	3.60	0.06	1.60
MS2520HQ-12N□-LF	12@50MHz	K,J,G	70@500MHz	2.80	0.06	1.50
MS2520HQ-18N□-LF	18@50MHz	K,J,G	62@350MHz	2.70	0.07	1.40
MS2520HQ-22N□-LF	22@50MHz	K,J,G	62@350MHz	2.05	0.07	1.40
MS2520HQ-33N□-LF	33@50MHz	K,J,G	75@350MHz	1.70	0.09	1.30
MS2520HQ-39N□-LF	39@50MHz	K,J,G	75@350MHz	1.30	0.09	1.30
MS2520HQ-47N□-LF	47@50MHz	K,J,G	75@350MHz	1.45	0.12	1.20
MS2520HQ-56N□-LF	56@50MHz	K,J,G	75@350MHz	1.23	0.12	1.20
MS2520HQ-68N□-LF	68@50MHz	K,J,G	80@350MHz	1.15	0.13	1.10
MS2520HQ-82N□-LF	82@50MHz	K,J,G	80@350MHz	1.06	0.16	1.10
MS2520HQ-R10□-LF	100@50MHz	K,J,G	62@350MHz	0.82	0.16	1.00

TEST EQUIPMENT:HP-4286A IMPEDANCE ANALYZER

Inductance tolerance : B=±0.15nH, S=±0.3nH, G=±2%, J=±5%, K=±10%

Operating temperature range -40°C to +125°C.

Electrical specifications at 25°C.

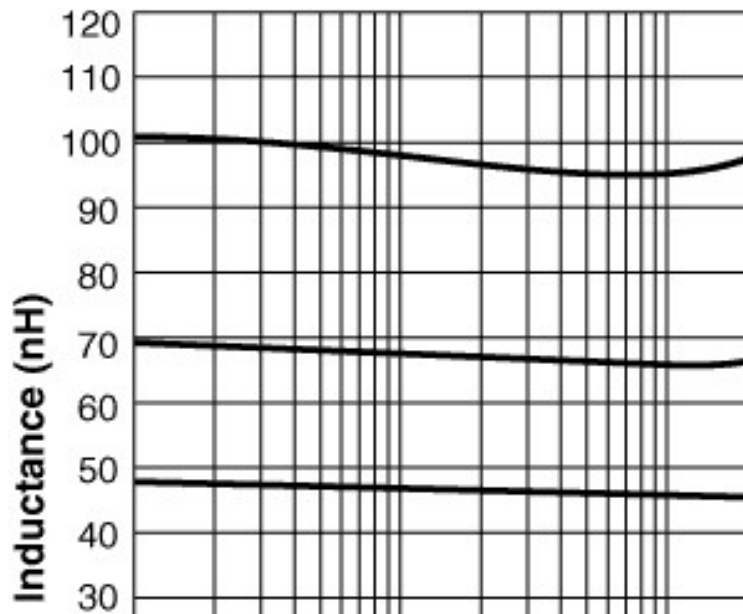


High Q Ceramic Chip Inductors - MS2520HQ SERIES

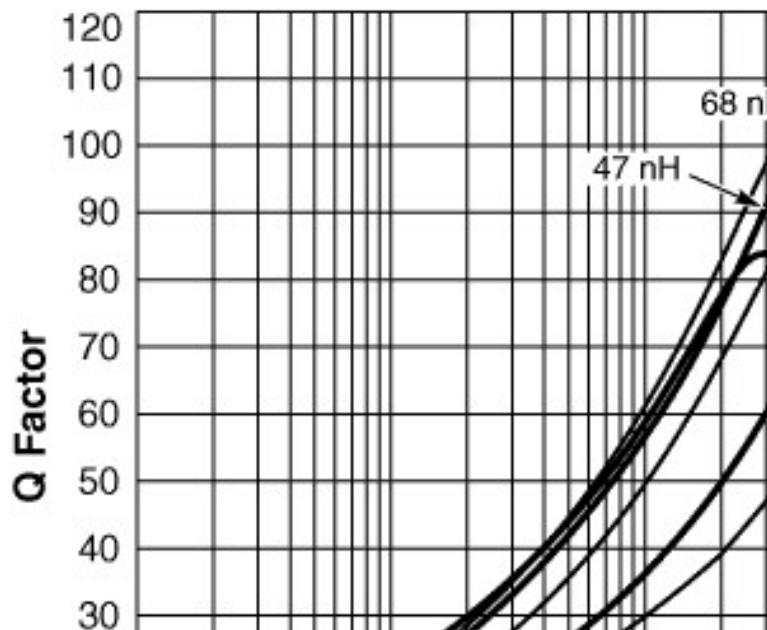


TYPICAL ELECTRICAL CHARACTERISTICS

INDUCTANCE vs. FREQUENCY CHARACTERISTICS



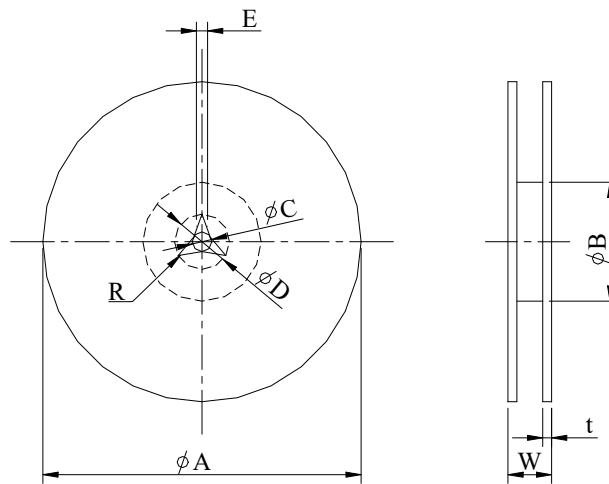
Q vs. FREQUENCY CHARACTERISTICS



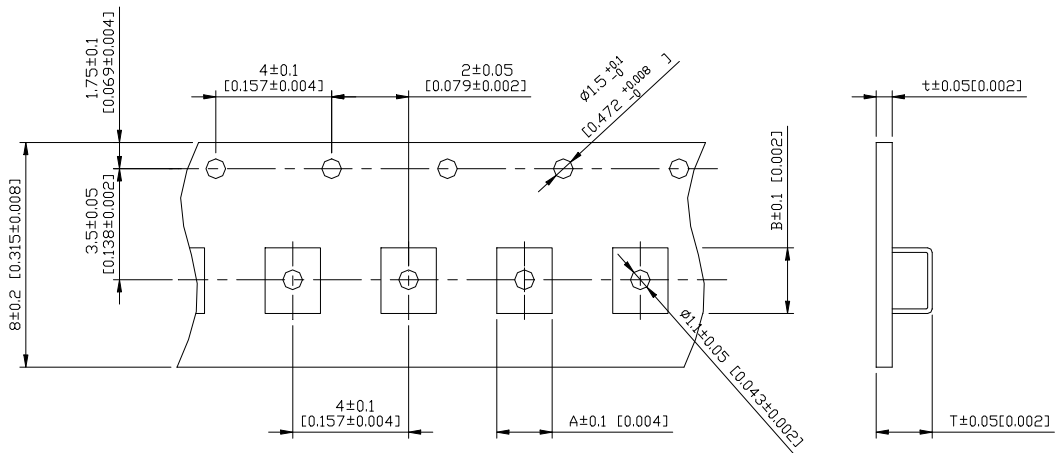
High Q Ceramic Chip Inductors - MS2520HQ SERIES



PACKAGING SPECIFICATION



	A	B	C	D	E	W8	W12	t	R
T($\psi 178\text{mm}$) Reel	$\psi 178 \pm 2$	$\psi 60 \pm 1$	$\psi 13 \pm 0.8$	$\psi 21 \pm 0.8$	2	10 ± 1.5	14.5 ± 1.5	1.27 ± 0.2	1



TYPE	A	B	T	t	T($\psi 178\text{mm}$)	T($\psi 330\text{mm}$)
MS2520HQ	1.90	3.50	1.40	0.2	2000 pcs/reel	-